



Technical Publication

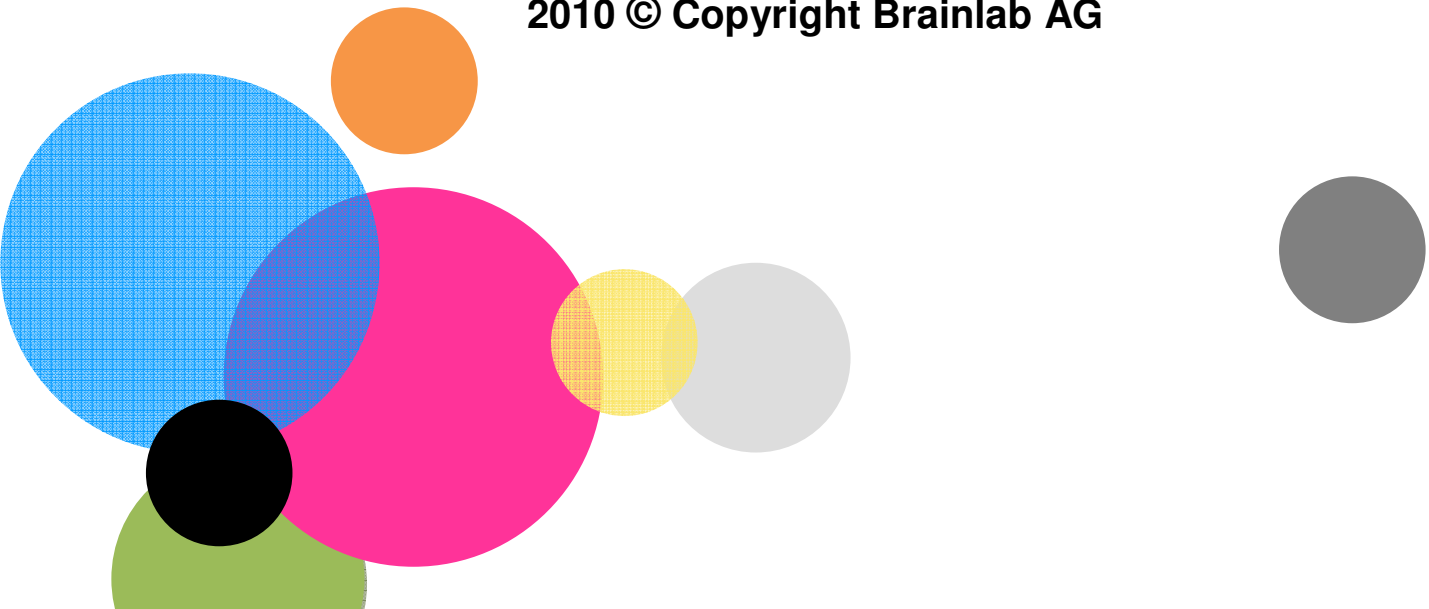
DICOM Conformance Statement

BLM3UI 3.0

Document Revision 1

December 15, 2010

2010 © Copyright Brainlab AG



1 Conformance Statement Overview

This is a conformance statement for the Brainlab m3 User Interface software (BLM3UI).

The BLM3UI provides the link between Record and Verify system (R&V), the linear accelerator (Linac), the communication interface board (CIFB) and the m3 Workstation software from Varian. The BLM3UI is able to read patient data from DICOM RT Plan format and convert into the RTP format.

The DICOM import part of the application is

- Read DICOM RT Plan data.
- Write DICOM data to the RTP file format.

2 Table of Contents

1	Conformance Statement Overview	3
2	Table of Contents	5
3	Introduction	6
3.1	Revision History	6
3.2	Audience	6
3.3	Remarks	6
3.4	Abbreviations	7
3.5	References	7
3.6	Contact	7
4	Networking	8
4.1	Implementation Model	8
4.1.1	Application Data Flow Diagram	8
4.2	Application Entity Specifications	9
4.2.1	BLM3UI Specification	9
4.2.1.1	SOP Classes and Transfer Syntaxes	9
4.3	Network Interfaces	9
4.4	Configuration	9
5	Media Interchange	10
6	Support of Extended Character Sets	11
7	Security Profiles	12
8	Annexes	13
8.1	IOD Contents	13
8.1.1	Attribute Mapping	13
8.1.1.1	Patient	13
8.1.1.2	General Study	13
8.1.1.3	Patient Study	13
8.1.1.4	RT Series Module	14
8.1.1.5	General Equipment	14
8.1.1.6	Approval Module	14
8.1.1.7	RT General Plan Module	15
8.1.1.8	RT Prescription Module	16
8.1.1.9	RT Tolerance Tables Module	16
8.1.1.10	RT Fraction Scheme Module	16
8.1.1.11	RT Beams Module	17
8.2	Data Dictionary of Private Attributes	21
8.3	Coded Terminology and Templates	21
8.4	Grayscale Image Consistency	22
8.5	Standard Extended/Specialized/Private Sop Classes	22
8.6	Private Transfer Syntaxes	22
9	Indexes	23
9.1	Index of Tables	23
9.2	Index of Figures	23

3 Introduction

3.1 Revision History

Document Version	Date of Issue	Author	Description
1	Dec. 15, 2010		Initial release for BLM3UI 3.0

3.2 Audience

This document is intended for hospital staff, health system integrators, software designers or implementers. It is assumed that the reader has a working understanding of DICOM.

3.3 Remarks

DICOM, by itself, does not guarantee interoperability. However, the Conformance Statement facilitates a first-level validation for interoperability between different applications supporting the same DICOM functionality. The Conformance Statement should be read and understood in conjunction with the DICOM Standard [1]. However, by itself it is not guaranteed to ensure the desired interoperability and a successful interconnectivity.

The user should be aware of the following important issues:

- The comparison of different conformance statements is the first step towards assessing interconnectivity between Brainlab and non–Brainlab equipment.
- This Conformance Statement is not intended to replace validation with other DICOM equipment to ensure proper exchange of information intended. An acceptance protocol is available to validate the desired level of connectivity.
- The DICOM standard will evolve to meet the users' future requirements. Brainlab reserves the right to make changes to its products or to discontinue its delivery.

3.4 Abbreviations

There are a variety of terms and abbreviations used in the document that are defined in the DICOM Standard. Abbreviations and terms are as follows:

IOD	(DICOM) Information Object Definition
ISO	International Standard Organization
SCU	DICOM Service Class User (DICOM client)
SCP	DICOM Service Class Provider (DICOM server)
SOP	DICOM Service-Object Pair
R&V	Record & Verify system

3.5 References

- [1] Digital Imaging and Communications in Medicine (DICOM) 3.0, NEMA PS 3.1-3.18 – 2008
- [2] RTPConnect Radiotherapy Treatment Planning Import/Export Interface Specification, LED17001 /011, Jun 17, 2010
- [3] MOSAIQ 2.20 DCM RT PLAN TRANSLATION Interface Specification, LEDDCM0036 / 2.0, Jun 25, 2010

3.6 Contact

In case of any questions or any inconsistencies concerning this Conformance Statement please contact dicomrt@brainlab.com.

4 Networking

4.1 Implementation Model

The Brainlab m3 User Interface application is an implementation of:

- A file reader to load DICOM RT Plan data from a file system.
- An application to convert data from DICOM RT Plan into RTP format [2].

4.1.1 Application Data Flow Diagram

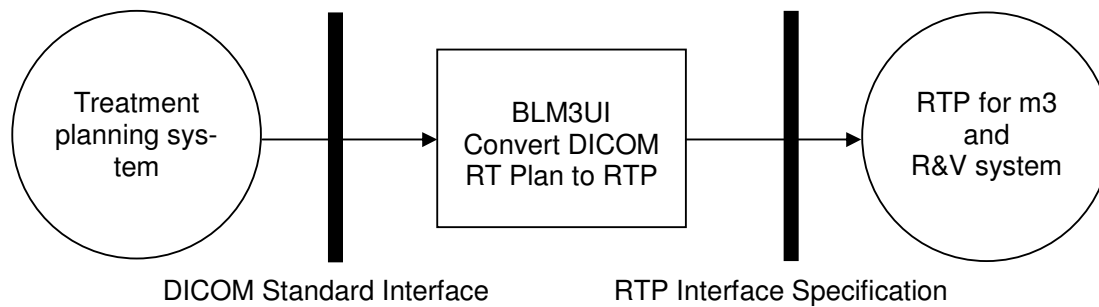


Figure 4-1: The application flow diagram

4.2 Application Entity Specifications

4.2.1 BLM3UI Specification

4.2.1.1 SOP Classes and Transfer Syntaxes

The BLM3UI imports DICOM RT Plan data. It provides Standard Conformance to the following DICOM V3.0 SOP Classes:

SOP Class Name	SOP Class UID	SCU	SCP
RT Plan Storage	1.2.840.10008.5.1.4.1.1.481.5	Yes	No

Table 4-1: Supported Storage SOP Classes

4.3 Network Interfaces

None implemented.

4.4 Configuration

None specified.

5 Media Interchange

For import there is no media interchange application profile supported. The files are simply read from the file system without using any DICOMDIR.

6 Support of Extended Character Sets

BLM3UI supports the

- ISO_IR 100 (ISO 8859-1:1987 Latin Alphabet No. 1 supplementary set)
- RT Plan translation conventions are described in [3]

7 Security Profiles

No security profiles are supported.

8 Annexes

8.1 IOD Contents

8.1.1 Attribute Mapping

8.1.1.1 Patient

Attribute Name	Tag	VR	RTP Plan Attribute (Keyword)	Translation Description
Patient's Name	(0010,0010)	PN	Patient_Last_Name (PLAN_DEF)	Character string before first delimiter “^” (5EH), if not delimiter exists the whole character string. Truncate string to max 20 characters.
			Patient_First_Name (PLAN_DEF)	Character string between first delimiter “^” and next delimiter or space character (20H). Truncate string to max 20 characters.
			Patient_MInitial (PLAN_DEF)	If a third caret delimiter exists, character string between the second and third delimiter. Truncate to initial character.
Patient ID	(0010,0020)	LO	Patient_ID (PLAN_DEF)	If Patient_ID is longer than 20 characters, import is aborted.
Patient's Birth Date	(0010,0030)	DA	-	
Patient's Sex	(0010,0040)	CS	-	

Table 8-1: Patient Module

8.1.1.2 General Study

Attribute Name	Tag	VR	RTP Plan Attribute (Keyword)	Translation Description
Study Instance UID	(0020,000D)	UI	-	
Study Date	(0008,0020)	DA	-	
Referring Physician's Name	(0008,0090)	PN	-	
Study ID	(0020,0010)	SH	-	
Accession Number	(0008,0050)	SH	-	
Study Description	(0008,1030)	LO	-	

Table 8-2: General Study Module

8.1.1.3 Patient Study

Attribute Name	Tag	VR	RTP Plan Attribute (Keyword)	Translation Description
Patient's Height	(0010,1020)	DS	-	
Patient's Weight	(0010,1030)	DS	-	

Table 8-3: Patient Study Module

8.1.1.4 RT Series Module

Attribute Name	Tag	VR	RTP Plan Attribute (Keyword)	Translation Description
Modality	(0008,0060)	CS	-	
Series Instance UID	(0020,000E)	UI	-	
Series Number	(0020,0011)	IS	-	

Table 8-4: RT Series Module

8.1.1.5 General Equipment

Attribute Name	Tag	VR	RTP Plan Attribute (Keyword)	Translation Description
Manufacturer	(0008,0070)	LO	RTP_Mfg (PLAN_DEF)	Required for every Beam Sequence (300a,00b0) Item.
Station Name	(0008,1010)	SH		
Manufacturer's Model Name	(0008,1090)	LO	RTP_Model (PLAN_DEF)	
Software Version(s)	(0018,1020)	LO	RTP_Version (PLAN_DEF)	

Table 8-5: General Equipment Module

8.1.1.6 Approval Module

Attribute Name	Tag	VR	RTP Plan Attribute (Keyword)	Translation Description
Approval Status	(300E,0002)	CS	-	
Review Date	(300E,0004)	DA	-	
Review Time	(300E,0005)	TM	-	
Reviewer Name	(300E,0008)	PN	MD_Approve_LName (PLAN_DEF)	If Approval Status (300E,0002) "APPROVED". Character string before first delimiter "^" (5EH), if not delimiter exists the whole character string. Truncate string to max 20 characters.
			MD_Approve_FName (PLAN_DEF)	Character string between first delimiter "^" and next delimiter or space character (20H). Truncate string to max 20 characters.
			MD_Approve_MInitial (PLAN_DEF)	If a third caret delimiter exists, character string between the second and third delimiter. Truncate to initial character.

Table 8-6: Approval Module

8.1.1.7 RT General Plan Module

Attribute Name	Tag	VR	RTP Plan Attribute (Keyword)	Translation Description
RT Plan Label	(300A,0002)	LO	Plan_ID (PLAN_DEF)	Truncate string to max 15 characters.
			Course_ID (PLAN_DEF, RX_DEF)	First two consecutive digits found in string.
RT Plan Name	(300A,0003)	SH	-	
RT Plan Description	(300A,0004)	ST	-	
Instance Number	(0020,0013)	IS	-	
Operators' Name	(0008,1070)	PN	Author_Last_Name (PLAN_DEF)	If Approval Status (300E,0002) "APPROVED". Character string before first delimiter "^" (5EH), if not delimiter exists the whole character string. Truncate string to max 20 characters.
			Author_First_Name (PLAN_DEF)	Character string between first delimiter "^" and next delimiter or space character (20H). Truncate string to max 20 characters.
			Author_MInitial (PLAN_DEF)	If a third caret delimiter exists, character string between the second and third delimiter. Truncate to initial character.
RT Plan Date	(300A,0006)	DA	Plan_Date (PLAN_DEF)	
RT Plan Time	(300A,0007)	TM	Plan_Time (PLAN_DEF)	
Treatment Protocols	(300A,0009)	LO	Technique (RX_DEF)	
RT Plan Geometry	(300A,000C)	CS	-	
Referenced Structure Set Sequence	(300C,0060)	SQ	-	
>Referenced SOP Class UID	(0008,1150)	UI	-	
>Referenced SOP Instance UID	(0008,1155)	UI	-	

Table 8-7: RT General Plan Module

8.1.1.8 RT Prescription Module

Attribute Name	Tag	VR	RTP Plan Attribute (Keyword)	Translation Description
Prescription Description	(300A,000E)	ST	Rx_Note (RX_DEF)	
Dose Reference Sequence	(300A,0010)	SQ	-	
>Dose Reference Number	(300A,0022)	IS	-	
>Dose Reference Structure Type	(300A,0014)	CS	-	
>Dose Reference Description	(300A,0016)	ST	Rx_Site_Name (RX_DEF, FIELD_DEF)	If >Dose Reference Description (300A,0016) is NULL, use "Site α ", where α is the Dose Reference Sequence >Dose Reference Number (300A,0012). If NULL, use "Site 01". For Setup Beams, use "Setup Beams".
>Referenced ROI Number	(3006,0084)	IS	-	
>Dose Reference Point Coordinates	(300A,0018)	DS	-	
>Dose Reference Type	(300A,0020)	CS	-	
>Target Prescription Dose	(300A,0026)	DS	Dose_TTL (RX_DEF)	Multiply by 100 and truncate to integer.
			Dose_Tx (RX_DEF)	Multiply by 100, divide by Number of Fractions Planned (300A,0078) and truncate to integer.

Table 8-8: RT Prescription Module
8.1.1.9 RT Tolerance Tables Module

Attribute Name	Tag	VR	RTP Plan Attribute (Keyword)	Translation Description
Tolerance Table Sequence	(300A,0040)	SQ	-	
>Tolerance Table Number	(300A,0042)	IS	-	
>Tolerance Table Label	(300A,0043)	SH	Tolerance_Table (FIELD_DEF)	

Table 8-9: RT Tolerance Tables Module
8.1.1.10 RT Fraction Scheme Module

Attribute Name	Tag	VR	RTP Plan Attribute (Keyword)	Translation Description
Fraction Group Sequence	(300A,0070)	SQ	-	
>Fraction Group Number	(300A,0071)	IS	-	
>Referenced Dose	(300C,0050)	SQ	-	

Reference Sequence				
>>Referenced Dose Reference Number	(300C,0051)	IS	-	
>Number of Fractions Planned	(300A,0078)	IS	-	
>Number of Beams	(300A,0080)	IS	-	
>Referenced Beam Sequence	(300C,0004)	SQ	-	
>>Beam Dose Specification Point	(300A,0082)	DS	-	
>>Beam Dose	(300A,0084)	DS	Field_Dose (FIELD_DEF)	Multiply by 100 and truncate to 2 decimal places. NULL if Treatment_Type (FIELD_DEF) is "Setup".
>>Beam Dose Point Depth	(300A,0088)	DS	-	
>>Beam Dose Equivalent Depth	(300A,0089)	DS	-	
>>Beam Dose SSD	(300A,008A)	DS	-	
>>Beam Meterset	(300A,0086)	DS	Field_Monitor_Units (FIELD_DEF)	Truncate to 2 decimal places. NULL if Treatment_Type (FIELD_DEF) is "Setup".
			Arc_MU_Degree (FIELD_DEF)	If Treatment_Type (FIELD_DEF) is not ARC set NULL, else calculate difference between the Gantry Angles (300A,011E) for the first and the last Control Point in the Control Point Sequence based on the Gantry Rotation Direction (300A,011F). Divide Beam Meterset by the difference, round to 2 decimal places.
>>Referenced Beam Number	(300C,0006)	IS	-	
>Number of Brachy Application Setups	(300A,00A0)	IS	-	

Table 8-10: RT Fraction Scheme Module

8.1.1.11 RT Beams Module

Attribute Name	Tag	VR	RTP Plan Attribute (Keyword)	Translation Description
Beam Sequence	(300A,00B0)	SQ	-	
>Beam Number	(300A,00C0)	IS	-	
>Beam Name	(300A,00C2)	LO	Field_Name (FIELD_DEF)	
>Beam Description	(300A,00C3)	LO	Field_Note (FIELD_DEF)	
>Beam Type	(300A,00C4)	CS	Treatment_Type (FIELD_DEF)	Based on Beam Type (300A,00C4), Control Point Sequence (300A,0111) and the Gantry Rotation Direction (300A,011F), set Treatment_Type to {Arc, Dy-

Attribute Name	Tag	VR	RTP Plan Attribute (Keyword)	Translation Description
				namic, Fixed, Setup}.
>Radiation Type	(300A,00C6)	CS	Modality (FIELD_DEF)	If Radiation Type is "PHOTON" set Modality "Xrays".
>Treatment Machine Name	(300A,00B2)	SH	Treatment_Machine (FIELD_DEF)	
> Manufacturer	(0008,0070)	LO	MLC_Type (CONTROL_PT_DEF)	If RT Beam Limiting Device Type (300A,00B8) is MLCX or MLCY, convert to an integer (see RTP specification).
>Manufacturer's Model Name	(0008,1090)	LO	-	
>Primary Dosimeter Unit	(300A,00B3)	CS	-	
>Source-Axis Distance	(300A,00B4)	DS	SAD (FIELD_DEF)	Divide by 10 and round to 1 decimal place.
>Beam Limiting Device Sequence	(300A,00B6)	SQ	-	
>>RT Beam Limiting Device Type	(300A,00B8)	CS	-	
>>Number of Leaf/Jaw Pairs	(300A,00BC)	IS	MLC_Leaves (CONTROL_PT_DEF)	If RT Beam Limiting Device Type (300A,00B8) is MLCX or MLCY.
>>Leaf Position Boundaries	(300A,00BE)	DS	-	
>Referenced Patient Setup Number	(300C,006A)	IS	-	
>Treatment Delivery Type	(300A,00CE)	CS	-	
>Number of Wedges	(300A,00D0)	IS	-	
>Wedge Sequence	(300A,00D1)	SQ	-	
>>Wedge Number	(300A,00D2)	IS	-	
>> Wedge Type	(300A,00D3)	CS	-	
>>Wedge ID	(300A,00D4)	SH	-	
>>Wedge Angle	(300A,00D5)	IS	-	
>>Wedge Factor	(300A,00D6)	DS	-	
>>Wedge Orientation	(300A,00D8)	DS	-	
>Number of Blocks	(300A,00F0)	IS	-	
>Block Sequence	(300A,00F4)	SQ	-	
>>Block Tray ID	(300A,00F5)	SH	Block (FIELD_DEF)	If NULL, create block code. NULL if Treatment_Type (FIELD_DEF) is "Setup".
>> Source to Block Tray Distance	(300A,00F6)	DS	-	
>>Block Type	(300A,00F8)	CS	-	
>>Block Divergence	(300A,00FA)	CS	-	
>>Block Number	(300A,00FC)	IS	-	
>>Material ID	(300A,00E1)	SH	-	
>>Block Thickness	(300A,0100)	DS	-	
>>Block Transmission	(300A,0102)	DS	-	
>>Block Number of Points	(300A,0104)	IS	-	

Attribute Name	Tag	VR	RTP Plan Attribute (Keyword)	Translation Description
>>Block Data	(300A,0106)	DS	-	
>Applicator Sequence	(300A,0107)		-	
>>Applicator ID	(300A,0108)	SH	-	
>>Applicator Type	(300A,0109)	CS	-	
>Number of Compensators	(300A,00E0)	IS	-	
>>Compensator ID	(300A,00E5)	SH	-	
>Number of Boli	(300A,00ED)	IS	-	
>Final Cumulative Meterset Weight	(300A,010E)	DS	Monitor_Units (CONTROL_PT_DEF)	Divide by Final Cumulative Meterset Weight (300A,010E) and truncate to 6 decimal places.
>Number of Control Points	(300A,0110)	IS	Total_Control_Points (CONTROL_PT_DEF)	If Treatment_Type (FIELD_DEF) not DYNAMIC set 1.
>Control Point Sequence	(300A,0111)	SQ	-	
>>Control Point Index	(300A,0112)	IS	Control_Pt_Number (CONTROL_PT_DEF)	
>>Cumulative Meterset Weight	(300A,0134)	DS	Monitor_Units (CONTROL_PT_DEF)	Divide by Final Cumulative Meterset Weight (300A,010E) and truncate to 6 decimal places.
>>Referenced Dose Reference Sequence	(300C,0050)	SQ	-	
>>>Referenced Dose Reference Number	(300C,0051)	IS	-	
>>>Cumulative Dose Reference Coefficient	(300A,010C)	DS	-	
>>Nominal Beam Energy	(300A,0114)	DS	Energy (FIELD_DEF, CONTROL_PT_DEF)	Truncate to integer.
>>Dose Rate Set	(300A,0115)	DS	Doserate (FIELD_DEF)	Round to integer.
>>Beam Limiting Device Position Sequence	(300A,011A)	SQ	-	
>>>RT Beam Limiting Device Type	(300A,00B8)	CS	Field_X_Mode (FIELD_DEF, CONTROL_PT_DEF)	X -> SYM ASYMX -> ASY Else NULL
			Field_Y_Mode (FIELD_DEF, CONTROL_PT_DEF)	Y -> SYM ASYMY -> ASY Else NULL
>>>Leaf/Jaw Positions	(300A,011C)	DS	Collimator_X1 (FIELD_DEF, CONTROL_PT_DEF)	If ASYMX, use the first value. Round to integer and divide by 10.
			Collimator_X2 (FIELD_DEF, CONTROL_PT_DEF)	If ASYMX, use the second value. Round to integer and divide by 10.
			Collimator_Y1 (FIELD_DEF, CONTROL_PT_DEF)	If ASYMY, use the first value. Round to integer and divide by 10.
			Collimator_Y2 (FIELD_DEF, CONTROL_PT_DEF)	If ASYMY, use the second value. Round to integer and divide by 10.
			Field_X (FIELD_DEF,	If RT Beam Limiting Device Type (300A,00B8)

Attribute Name	Tag	VR	RTP Plan Attribute (Keyword)	Translation Description
			CONTROL_PT_DEF)	is X, subtract the first value from the second value. Round to integer and divide by 10.
			Field_Y (FIELD_DEF, CONTROL_PT_DEF)	If RT Beam Limiting Device Type (300A,00B8) is Y, subtract the first value from the second value. Round to integer and divide by 10.
			MLC_LP ₁₋₁₀₀ (CONTROL_PT_DEF)	If RT Beam Limiting Device Type (300A,00B8) is MLCX or MLCY, use the first <i>n</i> values, where <i>n</i> is determined from the Number of Leaf Jaw Pairs (300A,00BC). If <i>n</i> < 100, the remaining MLC_LP _{<i>n</i>+1} to MLC_LP100 fields are set to NULL. Round to 1 decimal place and divide by 10.
			MLC_LP ₁₀₁₋₂₀₀ (CONTROL_PT_DEF)	If RT Beam Limiting Device Type (300A,00B8) is MLCX or MLCY, use the next <i>n</i> values, where <i>n</i> is determined from the Number of Leaf Jaw Pairs (300A,00BC). If <i>n</i> < 100, the remaining MLC_LP _{<i>n</i>+1} to MLC_LP200 fields are set to NULL. Round to 1 decimal place and divide by 10.
>>Gantry Angle	(300A,011E)	DS	Gantry_Angle (FIELD_DEF, CONTROL_PT_DEF)	Round to 1 decimal place
			Arc_Start_Angle (FIELD_DEF)	If Treatment_Type (FIELD_DEF) is ARC, continue; otherwise NULL. Within the first Control Point Sequence. Round to 1 decimal place.
			Arc_Stop_Angle (FIELD_DEF)	If Treatment_Type (FIELD_DEF) is ARC, continue; otherwise NULL. Within the last Control Point Sequence. Round to 1 decimal place.
			Arc_MU_Degree (FIELD_DEF)	Divide Beam Meterset by the difference between the Gantry Angles (300A,011E) in the first Control Point Sequence and the last Control Point Sequence. Round float to 2 decimal places. NULL if Treatment_Type (FIELD_DEF) is "Setup".
>>Gantry Rotation Direction	(300A,011F)	CS	Arc_Direction (FIELD_DEF)	If Treatment_Type (FIELD_DEF) is ARC. Within the first Control Point Sequence. CW -> CW CC -> CCW Else -> NULL

Attribute Name	Tag	VR	RTP Plan Attribute (Keyword)	Translation Description
				Else NULL.
			Gantry_Dir (CONTROL_PT_DEF)	CW -> CW CC -> CCW Else -> NULL
>>Beam Limiting Device Angle	(300A,0120)	DS	Collimator_Angle (FIELD_DEF, CONTROL_PT_DEF)	Round to 1 decimal place.
>>Beam Limiting Device Rotation Direction	(300A,0121)	CS	Collimator_Dir (CONTROL_PT_DEF)	CW -> CW CC -> CCW Else -> NULL
>>Patient Support Angle	(300A,0122)	DS	Couch_Angle (FIELD_DEF, CONTROL_PT_DEF)	Round to 1 decimal place.
>>Patient Support Rotation Direction	(300A,0123)	CS	Couch_Dir (CONTROL_PT_DEF)	CW -> CW CC -> CCW Else -> NULL
>>Table Top Eccentric Angle	(300A,0125)	DS	Couch_Pedestal (FIELD_DEF, CONTROL_PT_DEF)	Round to 1 decimal place.
>>Table Top Eccentric Rotation Direction	(300A,0126)	CS	Couch_Ped_Dir (CONTROL_PT_DEF)	If CW -> CW If CC -> CCW Else -> NULL
>>Table Top Pitch Angle	(300A,0140)	DS	-	
>>Table Top Pitch Rotation Direction	(300A,0142)	CS	-	
>>Table Top Roll Angle	(300A,0144)	DS	-	
>>Table Top Roll Rotation Direction	(300A,0146)	CS	-	
>>Table Top Vertical Position	(300A,0128)	DS	Couch_Vertical (FIELD_DEF, CONTROL_PT_DEF)	Round to integer and divide by 10.
>>Table Top Longitudinal Position	(300A,0129)	DS	Couch_Longitudinal (FIELD_DEF, CONTROL_PT_DEF)	Round to integer and divide by 10.
>>Table Top Lateral Position	(300A,012A)	DS	Couch_Lateral (FIELD_DEF, CONTROL_PT_DEF)	Round to integer and divide by 10.
>>Isocenter Position	(300A,012C)	DS	-	
>>Source to Surface Distance	(300A,0130)	DS	SSD (FIELD_DEF, CONTROL_PT_DEF)	Divide by 10 and round to 1 decimal place.

Table 8-11: RT Beams Module

8.2 Data Dictionary of Private Attributes

None supported.

8.3 Coded Terminology and Templates

None supported.

8.4 Grayscale Image Consistency

Not supported.

8.5 Standard Extended/Specialized/Private Sop Classes

None supported.

8.6 Private Transfer Syntaxes

None supported.

9 Indexes

9.1 Index of Tables

Table 4-1: Supported Storage SOP Classes	9
Table 8-1: Patient Module	13
Table 8-2: General Study Module.....	13
Table 8-3: Patient Study Module	13
Table 8-4: RT Series Module	14
Table 8-5: General Equipment Module.....	14
Table 8-6: Approval Module	14
Table 8-7: RT General Plan Module.....	15
Table 8-8: RT Prescription Module.....	16
Table 8-9: RT Tolerance Tables Module	16
Table 8-10: RT Fraction Scheme Module.....	17
Table 8-11: RT Beams Module	21

9.2 Index of Figures

Figure 4-1: The application flow diagram.....	8
-----------------------------------------------	---