

Technical Publication

DICOM Conformance Statement

PatXfer RT 1.5

Document Revision 2

October 4, 2007

2007© Copyright BrainLAB AG



1 Conformance Statement Overview

This is a conformance statement for the BrainLAB software PatXfer. The main purpose of this software is to import and convert DICOM data to the BrainLAB advanced file format and vice versa.

The DICOM import part of the application is

- Browse and display of DICOM files (simple message files as well as standard DICOM files).
- Query remote DICOM archives.
- Retrieve DICOM data from archives.

The DICOM export part of the application is

- Send DICOM data to another DICOM application or archive.
- Write DICOM data to the file system (no media interchange application profile supported so far).

What is not part of PatXfer:

- There is no direct way e.g. to read DICOM files and send them to a remote system. All you can do is to import DICOM data and convert it to BrainLAB data – and therefore lose some of its information – or you can convert BrainLAB data to DICOM and export it.
- PatXfer RT itself has no permanent DICOM Storage SCP to receive data at any time. If you need this feature the BrainLAB Converting DICOM Service has to be installed (see [2]).

SOP Classes	User Of Service (SCU)	Provider Of Service (SCP)
Transfer		
CR Image Storage	No	Yes
CT Image Storage	Yes	Yes
MR Image Storage	Yes	Yes
Positron Emission Tomography Image Storage	No	Yes
RT Plan Storage	Yes	Yes
RT Structure Set Storage	Yes	Yes
Secondary Capture (SC) Image Storage	No	Yes
Spatial Registration Storage	Yes	No
Standalone PET Curve Storage	No	Yes
X-Ray Angiographic Image Storage	No	Yes
X-Ray Radiofluoroscopic (RF) Image Storage	No	Yes
Query/Retrieve		
Patient Root Query/Retrieve Information Model - FIND	Yes	No
Patient Root Query/Retrieve Information Model - MOVE	Yes	No
Study Root Query/Retrieve Information Model - FIND	Yes	No
Study Root Query/Retrieve Information Model - MOVE	Yes	No
Patient/Study Only Query/Retrieve Information Model - FIND	Yes	No
Patient/Study Only Query/Retrieve Information Model - MOVE	Yes	No

Table 1-1: Network services supported by PatXfer

Media Storage Application Profile	Write Files (FSC or FSU)	Read Files (FSR)
Compact Disc – Recordable		
General Purpose CD–R	No	Yes

Table 1-2: Media Services supported by PatXfer

2 Table Of Contents

1	Conformance Statement Overview	3
2	Table Of Contents	5
3	Introduction	8
3.1	Revision History	8
3.2	Audience	8
3.3	Remarks	8
3.4	Abbreviations	9
3.5	References	9
4	Networking	10
4.1	Implementation Model	10
4.1.1	Application Data Flow Diagram	10
4.1.2	Functional Definition of Application Entity (AE)	11
4.1.3	Sequencing Of Real World Activities	12
4.2	Application Entity Specifications	13
4.2.1	PatXfer RT Specification	13
4.2.1.1	SOP Classes and Transfer Syntaxes	13
4.2.1.2	Association Policies	14
4.2.1.2.1	General	14
4.2.1.2.2	Number of Associations	14
4.2.1.2.3	Asynchronous Nature	14
4.2.1.2.4	Implementation Identifying Information	14
4.2.1.3	Association Initiation Policy	14
4.2.1.3.1	Activity – Find	14
4.2.1.3.2	Activity – Retrieve	15
4.2.1.3.3	Activity – Store	16
4.2.1.4	Association Acceptance Policy	16
4.2.1.4.1	Activity – Retrieve	16
4.3	Network Interfaces	17
4.3.1	Physical Network Interface	17
4.3.2	Additional Protocols	17
4.4	Configuration	17
4.4.1	AE Title / Presentation Address Mapping	17
4.4.1.1	Local AE Titles	17
4.4.1.2	Remote AE Title/Presentation Address Mapping	18
4.4.2	Parameters	18
5	Media Interchange	19
5.1	Implementation Model	19
5.1.1	Application Data Flow Diagram	19
5.1.2	Functional Definition of Application Entity (AE)	19
5.1.3	Sequencing Of Real World Activities	19
5.1.4	File Meta Implementation Identifying Information	20
5.2	Application Entity Specifications	20
5.2.1	PatXfer RT Specification	20
5.2.1.1	File Meta Information For The Application Entity	20
5.2.1.2	Real-World Activities	20
5.2.1.3	Activity – Convert DICOM to BrainLAB Data	20
5.2.1.3.1	Media Storage Application Profiles	20
5.3	Augmented And Private Application Profiles	21
5.4	Media Configuration	21

6	Support Of Extended Character Sets	22
7	Security Profiles	23
8	Annexes	24
8.1	IOD Contents	24
8.1.1	Created SOP Instances	24
8.1.1.1	Created IODs	24
8.1.1.1.1	Computed Tomography Image Storage	24
8.1.1.1.2	Magnetic Resonance Image Storage	24
8.1.1.1.3	RT Plan Storage	25
8.1.1.1.4	RT Structure Set Storage	25
8.1.1.1.5	Spatial Registration Storage	25
8.1.1.2	Created Modules	26
8.1.1.2.1	Patient	26
8.1.1.2.2	General Study	26
8.1.1.2.3	Patient Study	26
8.1.1.2.4	General Series	27
8.1.1.2.5	Frame of Reference	27
8.1.1.2.6	General Equipment	27
8.1.1.2.7	General Image	27
8.1.1.2.8	Image Plane	27
8.1.1.2.9	Image Pixel	28
8.1.1.2.10	VOI LUT	28
8.1.1.2.11	SOP Common	28
8.1.1.2.12	CT Image	28
8.1.1.2.13	MR Image	29
8.1.1.2.14	RT Series	29
8.1.1.2.15	RT General Plan	29
8.1.1.2.16	RT Beams	29
8.1.1.2.17	RT Structure Set	31
8.1.1.2.18	ROI Contour	32
8.1.1.2.19	RT ROI Observation	32
8.1.1.2.20	Spatial Registration Series	33
8.1.1.2.21	Spatial Registration	33
8.1.1.2.22	Common Instance Reference	33
8.1.2	Usage Of Attributes From Received IOD's	34
8.1.2.1	Images	34
8.1.2.2	RT Plan	34
8.1.2.3	RT Structure Set	34
8.2	Data Dictionary Of Private Attributes	35
8.2.1	Group 0009	35
8.3	Coded Terminology And Templates	35
8.4	Grayscale Image Consistency	35
8.5	Standard Extended/Specialized/Private Sop Classes	35
8.6	Private Transfer Syntaxes	35
9	Indexes	36
9.1	Index Of Tables	36
9.2	Index Of Figures	36

3 Introduction

3.1 Revision History

Document Version	Date of Issue	Author	Description
1	January 9, 2007		Release Revision
2	October 4, 2007	UBE	Update of references

3.2 Audience

This document is intended for hospital staff, health system integrators, software designers or implementers. It is assumed that the reader has a working understanding of DICOM.

3.3 Remarks

DICOM, by itself, does not guarantee interoperability. However, the Conformance Statement facilitates a first-level validation for interoperability between different applications supporting the same DICOM functionality. The Conformance Statement should be read and understood in conjunction with the DICOM Standard [1]. However, by itself it is not guaranteed to ensure the desired interoperability and a successful interconnectivity.

The user should be aware of the following important issues:

- The comparison of different conformance statements is the first step towards assessing interconnectivity between BrainLAB and non–BrainLAB equipment.
- This Conformance Statement is not intended to replace validation with other DICOM equipment to ensure proper exchange of information intended. An acceptance protocol is available to validate the desired level of connectivity.
- The DICOM standard will evolve to meet the users' future requirements. BrainLAB reserves the right to make changes to its products or to discontinue its delivery.

3.4 Abbreviations

There are a variety of terms and abbreviations used in the document that are defined in the DICOM Standard. Abbreviations and terms are as follows:

AE	DICOM Application Entity
AET	Application Entity Title
CD-R	Compact Disk Recordable
FSC	File-Set Creator
FSU	File-Set Updater
FSR	File-Set Reader
IOD	(DICOM) Information Object Definition
ISO	International Standard Organization
PDU	DICOM Protocol Data Unit
Q/R	Query and Retrieve
SCU	DICOM Service Class User (DICOM client)
SCP	DICOM Service Class Provider (DICOM server)
SOP	DICOM Service-Object Pair
xBrain	BrainLAB advanced file format

3.5 References

- [1] Digital Imaging and Communications in Medicine (DICOM) 3.0, NEMA PS 3.1-3.18 – 2006
- [2] DICOM Conformance Statement Converting DICOM Service 1.0, BrainLAB, April 19, 2005



BrainLAB uses DICOM by Merge.

4 Networking

4.1 Implementation Model

The BrainLAB PatXfer RT application is an implementation of:

- A Query/Retrieve SCU to query DICOM archives and to initiate a move request for the queried archive.
- A Media File Set Reader to load DICOM data from a file system.
- A Storage SCU that sends DICOM data to a DICOM archive or workstation.
- An application to convert DICOM image data (X-Ray, CT, MR, PET, NM, SC) into the BrainLAB advanced file format.
- An application to convert data from the BrainLAB advanced file format into DICOM image data (X-Ray, CT, MR, PET, NM).

4.1.1 Application Data Flow Diagram

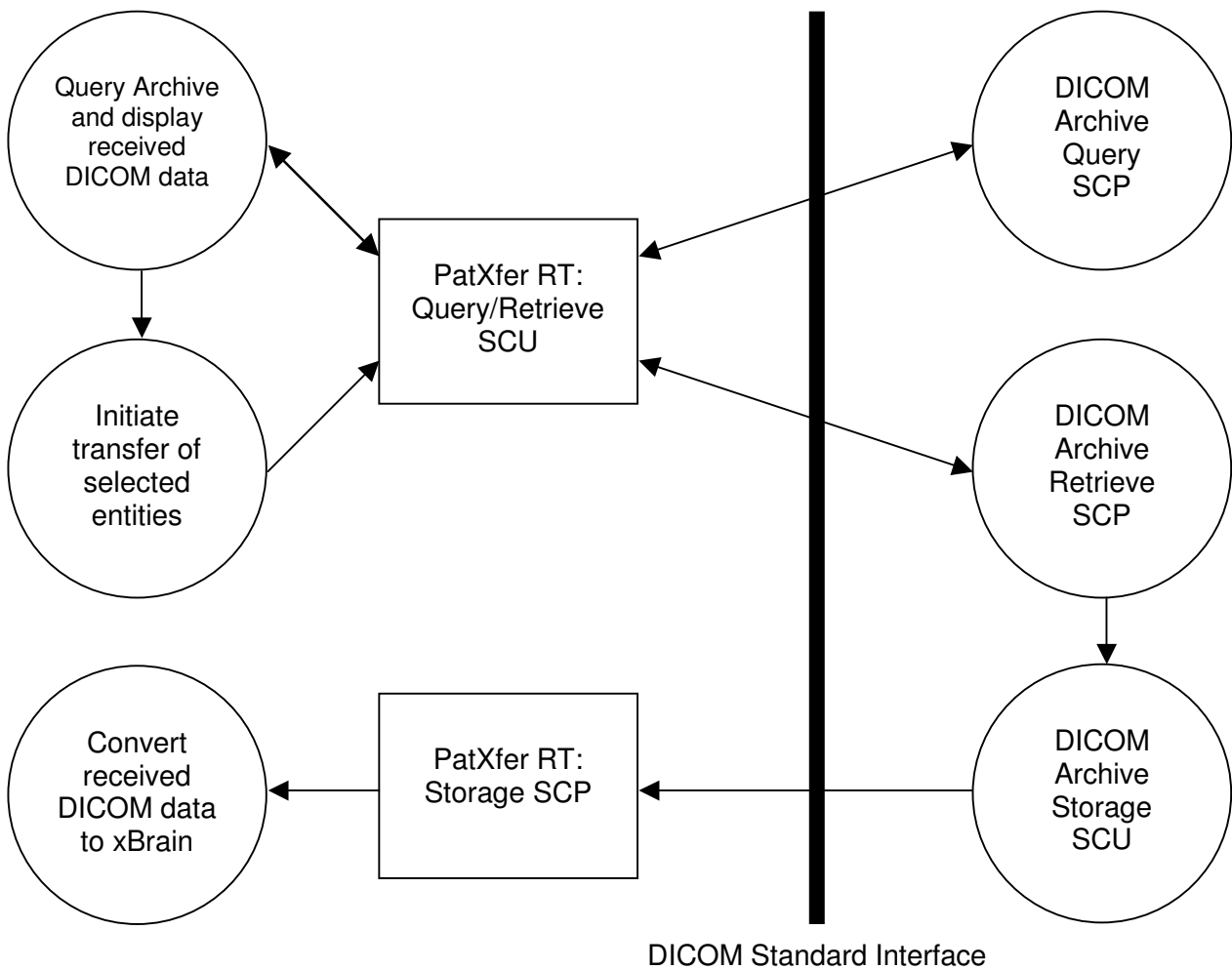


Figure 4-1: The Query/Retrieve SCU and Storage SCP application flow diagram

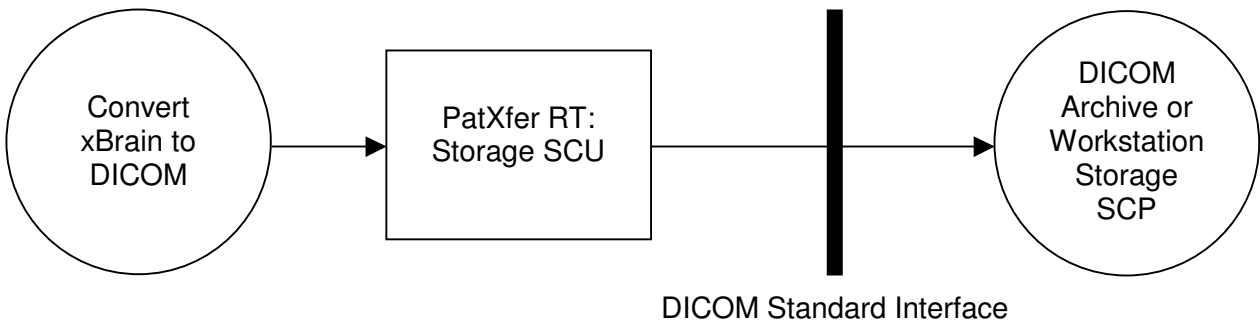


Figure 4-2: The Storage SCU application flow diagram

4.1.2 Functional Definition of Application Entity (AE)

Some communications and data transfer with remote AE's are accomplished utilizing the DICOM protocol over a network using the TCP/IP protocol stack.

- **Query and Retrieve:**
The user wants to find a certain dataset in a DICOM archive. PatXfer RT initiates an association as a Q/R SCU negotiating all models. The find request can be performed (depending on the negotiated models) on all DICOM levels (patient, study, series or instance). For a selected DICOM entity (patient, study, series or instance) a move request can be performed. The application supplies all unique keys for the requested level. The move response, indicating the storage-progress, is graphically evaluated.
- **Storage SCP¹:**
During a move operation a DICOM Storage SCP is invoked. PatXfer RT accepts an association with a Storage SCU negotiating any of the SOP Classes listed in Table 4-3. The received data may be – with user interaction – converted to the BrainLAB advanced file format.
- **Storage SCU:**
PatXfer RT loads data from the BrainLAB advanced file format, converts it to DICOM – with user interaction – and initiates an association with a Storage SCP negotiating all SOP's listed in Table 4-3. The converted DICOM data is then sent to the remote DICOM Storage SCP.

¹ The Storage SCP is only available during a DICOM Query/Retrieve Move session. PatXfer itself provides no permanent Storage SCP to receive data at any time. If you need this feature the BrainLAB Converting DICOM Service has to be installed (see [2])

4.1.3 Sequencing Of Real World Activities

PatXfer RT Query/Retrieve SCU performs a sequencing of real world activities as follows:

1. Query Archive and display received DICOM data:
 - a. Send DICOM Query/Retrieve C-FIND request.
 - b. Receive DICOM Query/Retrieve C-FIND responses.
2. User selects data to retrieve.
3. Initiate transfer of selected entities:
 - a. Start the DICOM Storage SCP
 - b. Send a DICOM Query/Retrieve C-MOVE request
 - c. Receive DICOM C-STORE requests with the requested SOP instances.
 - d. Receive DICOM Query/Retrieve C-MOVE responses
 - e. Stop the DICOM Storage SCP
4. Convert received DICOM data to BrainLAB Advanced file format.

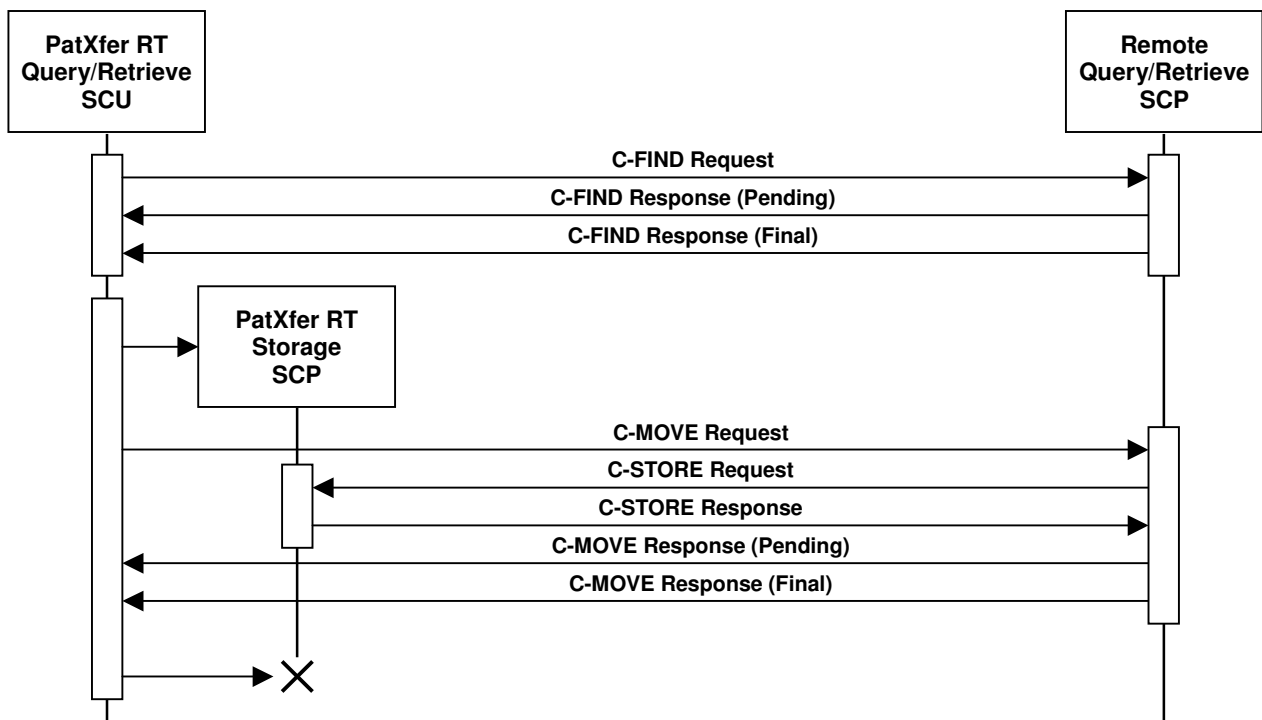


Figure 4-3: Sequencing of Query/Retrieve SCU and Storage SCP

4.2 Application Entity Specifications

4.2.1 PatXfer RT Specification

4.2.1.1 SOP Classes and Transfer Syntaxes

PatXfer RT sends or receives a C-ECHO request in order to test the connection to a remote AE. It provides standard conformance to the following DICOM V3.0 SOP Classes:

SOP Class Name	SOP Class UID	SCU	SCP
Verification SOP Class	1.2.840.10008.1.1	Yes	Yes

Table 4-1: Supported Verification SOP Classes

PatXfer RT is able to query a remote archive. It provides Standard Conformance to the following DICOM V3.0 SOP Classes:

SOP Class Name	SOP Class UID	SCU	SCP
Patient Root Query/Retrieve Information Model - FIND	1.2.840.10008.5.1.4.1.2.1.1	Yes	No
Patient Root Query/Retrieve Information Model - MOVE	1.2.840.10008.5.1.4.1.2.1.2	Yes	No
Study Root Query/Retrieve Information Model - FIND	1.2.840.10008.5.1.4.1.2.2.1	Yes	No
Study Root Query/Retrieve Information Model - MOVE	1.2.840.10008.5.1.4.1.2.2.2	Yes	No
Patient/Study Only Query/Retrieve Information Model - FIND	1.2.840.10008.5.1.4.1.2.3.1	Yes	No
Patient/Study Only Query/Retrieve Information Model - MOVE	1.2.840.10008.5.1.4.1.2.3.2	Yes	No

Table 4-2: Supported Query/Retrieve SOP Classes

PatXfer RT imports and exports DICOM image data. It provides Standard Conformance to the following DICOM V3.0 SOP Classes:

SOP Class Name	SOP Class UID	SCU	SCP
CR Image Storage	1.2.840.10008.5.1.4.1.1.1	No	Yes
CT Image Storage	1.2.840.10008.5.1.4.1.1.2	Yes	Yes
MR Image Storage	1.2.840.10008.5.1.4.1.1.4	Yes	Yes
Positron Emission Tomography Image Storage	1.2.840.10008.5.1.4.1.1.128	No	Yes
RT Plan Storage	1.2.840.10008.5.1.4.1.1.481.5	Yes	Yes
RT Structure Set Storage	1.2.840.10008.5.1.4.1.1.481.3	Yes	Yes
Secondary Capture (SC) Image Storage	1.2.840.10008.5.1.4.1.1.7	No	Yes
Spatial Registration Storage	1.2.840.10008.5.1.4.1.1.66.1	Yes	No
Standalone PET Curve Storage	1.2.840.10008.5.1.4.1.1.129	No	Yes
X-Ray Angiographic Image Storage	1.2.840.10008.5.1.4.1.1.12.1	No	Yes
X-Ray Radiofluoroscopic (RF) Image Storage	1.2.840.10008.5.1.4.1.1.12.2	No	Yes

Table 4-3: Supported Storage SOP Classes

PatXfer RT supports the following transfer syntaxes. In an association negotiation the syntaxes are proposed in the order of appearance in the list.

Transfer Syntax Name	Transfer Syntax UID	SCU	SCP
DICOM Implicit VR Little Endian	1.2.840.10008.1.2	Yes	Yes
DICOM Explicit VR Little Endian	1.2.840.10008.1.2.1	Yes	Yes
DICOM Explicit VR Big Endian	1.2.840.10008.1.2.2	Yes	Yes
JPEG Lossless, Non-Hierarchical, First-Order Prediction (Process 14)	1.2.840.10008.1.2.4.70	No	Yes

Table 4-4: Supported Transfer Syntaxes

4.2.1.2 Association Policies

4.2.1.2.1 General

The DICOM standard application context name for DICOM 3.0 is always proposed:

Application Context Name	1.2.840.10008.3.1.1.1
--------------------------	-----------------------

4.2.1.2.2 Number of Associations

For both association initiation and acceptance:

Maximum number of simultaneous Associations	1
---	---

4.2.1.2.3 Asynchronous Nature

The PatXfer RT does not support asynchronous communication (multiple outstanding transactions over a single association).

Maximum number of outstanding asynchronous transactions	1
---	---

4.2.1.2.4 Implementation Identifying Information

The implementation information for this Application Entity is:

Implementation Class UID	1.2.276.0.20.1.1.4.1.5.0.4
Implementation Version Name	PatXferRT15_DEN4

4.2.1.3 Association Initiation Policy

PatXfer RT initiates an association in these cases:

1. Find: The user tries to find a specific entity in a remote DICOM archive.
2. Retrieve: The user wants to retrieve a specific entity from the remote DICOM archive and wants to convert it to the BrainLAB advanced file format.
3. Store: The user loaded a dataset in the BrainLAB advanced file format and wants to convert it to the DICOM format and send it to a remote DICOM node.

4.2.1.3.1 Activity – Find

4.2.1.3.1.1 Description and Sequencing of Activities

A DICOM Query/Retrieve C-FIND request is performed when the user queries the remote DICOM archive for patients, studies, series or instances.

4.2.1.3.1.2 Proposed Presentation Contexts

Presentation Context Table			
Abstract Syntax	Transfer Syntax	Role	Ext. Neg.
All SCU SOP Classes listed in Table 4-1 and all FIND SCU SOP Classes as listed in Table 4-2	All SCU Transfer Syntaxes as listed in Table 4-4	SCU	None
		SCU	None
		SCU	None

Table 4-5: Proposed Presentation Contexts for Activity Find.

4.2.1.3.1.3 SOP Specific Conformance

PatXfer RT provides standard conformance to the DICOM Verification Service Class and to the DICOM Query/Retrieve FIND SOP Classes. No extended negotiation is implemented.

For the patient-root and patient/study only model, the user may restrict the patient query by the following attributes:

Attribute Name	Tag
Patient's Name	(0010,0010)
Patient ID	(0010,0020)

For the study-root model, the user may restrict the patient/study query by the following attributes:

Description	Tag
Patient's Name	(0010,0010)
Patient ID	(0010,0020)
Study Date	(0008,0020)

4.2.1.3.2 Activity – Retrieve

4.2.1.3.2.1 Description and Sequencing of Activities

On user selection of a specific DICOM study or series (depends on the available SOP Class for Query/Retrieve), a move request is performed. The storage target for receiving the DICOM data (the AET with which the move-request is equipped) is the PatXfer RT application itself.

The Move operation only can be invoked after a Find operation. See chapter 4.1.3 for a detailed sequencing diagram.

4.2.1.3.2.2 Proposed Presentation Contexts

Presentation Context Table			
Abstract Syntax	Transfer Syntax	Role	Ext. Neg.
All SCU SOP Classes listed in Table 4-1 and all SCU MOVE SOP Classes as listed in Table 4-2	All SCU Transfer Syntaxes as listed in Table 4-4	SCU	None
		SCU	None
		SCU	None

Table 4-6: Proposed Presentation Contexts for Activity Move.

4.2.1.3.2.3 SOP Specific Conformance

PatXfer RT provides standard conformance to the DICOM Verification Service Class and to the DICOM Query/Retrieve MOVE SOP Classes. No extended negotiation is implemented.

4.2.1.3.3 Activity – Store

4.2.1.3.3.1 Associated Real-World Activity

After successful conversion of the selected BrainLAB data to DICOM a storage request is performed to send the DICOM data to a remote Storage SCP. The remote Storage SCP must be one of the AETs known by PatXfer.

4.2.1.3.3.2 Proposed Presentation Contexts

Presentation Context Table			
Abstract Syntax	Transfer Syntax	Role	Ext. Neg
All SCU SOP Classes as listed in Table 4-1 and Table 4-3	All SCU Transfer Syntaxes as listed in Table 4-4	SCU	None
		SCU	None
		SCU	None

Table 4-7: Proposed Presentation Contexts for Activity Store.

4.2.1.3.3.3 SOP Specific Conformance

PatXfer RT provides standard conformance to the DICOM Verification Service Class and to the DICOM Storage SOP Classes. No extended negotiation is implemented.

See chapter 8.1.2 for further information on acceptance of SOP Instances, i.e. whether PatXfer RT is able to import and convert the DICOM data.

4.2.1.4 Association Acceptance Policy

PatXfer RT accepts an association in this case:

1. Retrieve: The user wants to retrieve a specific entity from the remote DICOM archive and wants to convert it to the BrainLAB advanced file format.

4.2.1.4.1 Activity – Retrieve

4.2.1.4.1.1 Associated Real-World Activity

On user selection of a specific DICOM entity a move request is performed. To receive the requested SOP instances a Storage SCP is invoked. The Storage SCP is only active during a DICOM Query/Retrieve C-MOVE request and automatically stopped after receive of the final C-MOVE response.

4.2.1.4.1.2 Proposed Presentation Contexts

Presentation Context Table			
Abstract Syntax	Transfer Syntax	Role	Ext. Neg
All SCP SOP Classes as listed in Table 4-1 and Table 4-3	All SCP Transfer Syntaxes as listed in Table 4-4	SCU	None
		SCU	None
		SCU	None

Table 4-8: Storage SCP Presentation Contexts.

4.2.1.4.1.3 SOP Specific Conformance

PatXfer RT provides standard conformance to the DICOM Verification Service Class and to the DICOM Storage SOP Classes. No extended negotiation is implemented.

The received DICOM SOP Instances will be converted to the BrainLAB advanced file format. Therefore some of the SOP specific information is lost. See chapter 8.1 for further information on exported IODs.

4.2.1.4.1.4 Presentation Context Acceptance Criterion

PatXfer RT accepts multiple presentation contexts containing the same abstract syntax.

4.2.1.4.1.5 Transfer Syntax Selection Policy

The first Transfer Syntax encountered in the configuration file, which matches a Transfer Syntax offered for a given Presentation Context, will be selected as the accepted Transfer Syntax for that Presentation Context.

4.3 Network Interfaces

4.3.1 Physical Network Interface

PatXfer RT supports the DICOM upper layer using TCP/IP. PatXfer RT is indifferent to the physical medium over which TCP/IP executes. It inherits this from the operating system upon which it executes.

4.3.2 Additional Protocols

The usage of DNS and DHCP is possible and is based on the network configuration of the operating system upon which PatXfer RT executes.

4.4 Configuration

4.4.1 AE Title / Presentation Address Mapping

Configuration of remote and local DICOM nodes can be performed with the graphical user interface of PatXfer.

PatXfer RT can configure several nodes representing remote QR Servers or Storage SCPs. On the corresponding settings page, application-wide global parameter and node-specific parameters can be entered.

4.4.1.1 Local AE Titles

The local AET for the Query/Retrieve SCU is an application-wide global parameter. The local AET for the Storage SCP defaults to the one of the Query/Retrieve SCU. But for each specified archive you may define an own Storage SCP AET.

The listening port is an application-wide global parameter.

Application Entity	Default AE Title	Default TCP/IP Port
PatXfer RT	PatXferRT	104

4.4.1.2 Remote AE Title/Presentation Address Mapping

In PatXfer RT you can specify several archives for import and export. The IP address/hostname, AET and listening port may be configured for each DICOM network archive separately within the Graphical User Interface.

4.4.2 Parameters

Additional a timeout may be specified for each DICOM network archive separately.

Parameter	Configurable	Default Value
Timeout	Yes	30
Maximum PDU Size	No	28672

5 Media Interchange

PatXfer RT supports DICOM media interchange for import and export of DICOM data:

- For import PatXfer RT supports media interchange application profiles. To reflect this the support for the Standard General Purpose CD-R Interchange is added to provide the supported SOP Classes. Nevertheless PatXfer RT is able to import DICOM files even without the existence of any DICOMDIR by scanning a given file system for any kind of DICOM files.
- For export there is no media interchange application profile supported. The files are simply stored to the file system grouped by patient without using any DICOMDIR. For export it supports the same SOP Classes like the Storage SCU (see Table 4-3 or Table 4-7).

5.1 Implementation Model

5.1.1 Application Data Flow Diagram

With PatXfer RT the user may browse DICOM File-sets, import selected entities and convert them to the BrainLAB advanced file format.

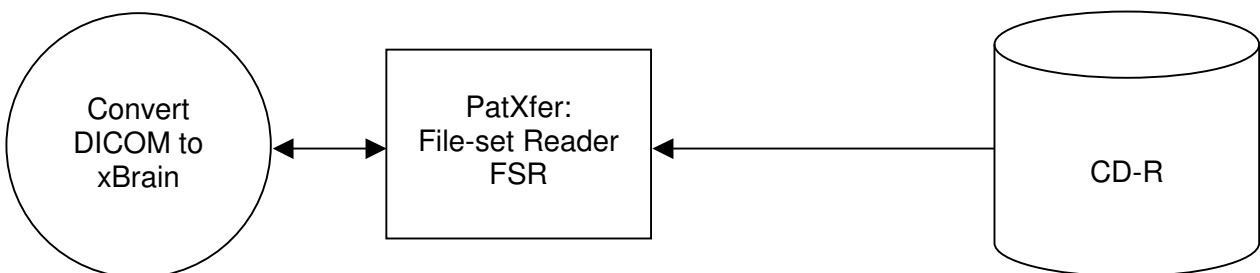


Figure 5-1: The File System Reader application flow diagram

5.1.2 Functional Definition of Application Entity (AE)

Some communications and data transfer with remote AE's are accomplished utilizing the file system provided by the operating system upon which PatXfer RT executes.

- File Set Reader:
PatXfer RT loads DICOM data from the file system and converts it to the BrainLAB advanced file format – with user interaction. The reader supports the same SOP classes as the Storage SCP (see Table 4-3).

5.1.3 Sequencing Of Real World Activities

Not necessary.

5.1.4 File Meta Implementation Identifying Information

PatXfer RT provides the same information as in chapter 4.2.1.2.4.

5.2 Application Entity Specifications

5.2.1 PatXfer RT Specification

PatXfer RT supports the following Media Interchange Profiles:

AE Related Application Profiles, Real-World Activities, and Roles			
Supported APs	Real World Activity	Roles	SC Option
STD-GEN-CD	Convert DICOM to BrainLAB data	FSR	Interchange

Table 5-1: Supported Media Interchange Profiles.

5.2.1.1 File Meta Information For The Application Entity

The Source Application Entity Title included in the File Meta Header is configurable. It is the same as the local AET of the network configuration (see chapter 4.4.1.1)

5.2.1.2 Real-World Activities

5.2.1.3 Activity – Convert DICOM to BrainLAB Data

PatXfer RT acts as an FSR using the Interchange option

- When requested to provide a directory listing it will read the File-set and display the DICOM-DIR directory entries for all SOP Instances in the File-set.
- When requested to load the selected entries from directory listing to convert them to BrainLAB Advanced file format, only those SOP Instances are loaded that correspond to the Application Profile STD-GEN-CD.
- For the list of Application Profiles that invoke this AE see Table 5-1. The supported SOP Classes see Table 4-3.

5.2.1.3.1 Media Storage Application Profiles

PatXfer RT supports the STD-GEN-CD Application Profile.

5.2.1.3.1.1 Options

The Offline-Media Application Entity supports the SOP Classes and Transfer Syntaxes listed in the Table below:

SOP Classes	Transfer Syntaxes
All SCP SOP Classes listed in Table 4-3	All SCP Transfer Syntaxes listed in Table 4-4

See chapter 8.1.2 for further information on acceptance of SOP Instances, i.e. whether PatXfer RT is able to import and convert the DICOM data.

5.3 Augmented And Private Application Profiles

PatXfer RT does not support any augmented or private application profiles.

5.4 Media Configuration

PatXfer RT uses the local AET configured for the network services as source AET for the DICOM files.

6 Support Of Extended Character Sets

PatXfer RT supports the

- ISO_IR 100 (ISO 8859-1:1987 Latin Alphabet No. 1 supplementary set)

7 Security Profiles

No security profiles are supported.

8 Annexes

8.1 IOD Contents

8.1.1 Created SOP Instances

The following tables use a number of abbreviations. The abbreviations used in the “Presence of Module” column are:

MNAP	Module not always present
ALWAYS	Module always present

8.1.1.1 Created IODs

8.1.1.1.1 Computed Tomography Image Storage

IE	Module	Reference	Presence of Module
Patient	Patient	Table 8-6	ALWAYS
Study	General Study	Table 8-7	ALWAYS
	Patient Study	Table 8-8	ALWAYS
Series	General Series	Table 8-9	ALWAYS
Frame of Reference	Frame of Reference	Table 8-10	ALWAYS
Equipment	General Equipment	Table 8-11	ALWAYS
Image	General Image	Table 8-12	ALWAYS
	Image Plane	Table 8-13	ALWAYS
	Image Pixel	Table 8-14	ALWAYS
	CT Image	Table 8-17	ALWAYS
	VOI LUT	Table 8-15	MNAP
	SOP Common	Table 8-16	ALWAYS

Table 8-1: CT Image Storage IOD

8.1.1.1.2 Magnetic Resonance Image Storage

IE	Module	Reference	Presence of Module
Patient	Patient	Table 8-6	ALWAYS
Study	General Study	Table 8-7	ALWAYS
	Patient Study	Table 8-8	ALWAYS
Series	General Series	Table 8-9	ALWAYS
Equipment	General Equipment	Table 8-11	ALWAYS
Image	General Image	Table 8-12	ALWAYS
	Image Plane	Table 8-13	ALWAYS
	Image Pixel	Table 8-14	ALWAYS
	MR Image	Table 8-18	ALWAYS
	VOI LUT	Table 8-15	MNAP
	SOP Common	Table 8-16	ALWAYS

Table 8-2: MR Image Storage IOD

8.1.1.1.3 RT Plan Storage

IE	Module	Reference	Presence of Module
Patient	Patient	Table 8-6	ALWAYS
Study	General Study	Table 8-7	ALWAYS
	Patient Study	Table 8-8	ALWAYS
Series	RT Series	Table 8-19	ALWAYS
Frame of Reference	Frame of Reference	Table 8-10	ALWAYS
Equipment	General Equipment	Table 8-11	ALWAYS
Plan	RT General Plan Module	Table 8-20	ALWAYS
	RT Beams Module	Table 8-21	ALWAYS
	SOP Common	Table 8-16	ALWAYS

Table 8-3: RT Plan Storage IOD

NOTE: The exported beam setup in the RT Beams Module holds dummy beams that are not usable for any patient treatment. The RT Plan is used only to export isocenters.

8.1.1.1.4 RT Structure Set Storage

IE	Module	Reference	Presence of Module
Patient	Patient	Table 8-6	ALWAYS
Study	General Study	Table 8-7	ALWAYS
	Patient Study	Table 8-8	ALWAYS
Series	RT Series	Table 8-19	ALWAYS
Equipment	General Equipment	Table 8-11	ALWAYS
Structure Set	Structure Set	Table 8-22	ALWAYS
	ROI Contour	Table 8-23	ALWAYS
	RT ROI Observations	Table 8-24	ALWAYS
	SOP Common	Table 8-16	ALWAYS

Table 8-4: RT Structure Set Storage IOD

8.1.1.1.5 Spatial Registration Storage

IE	Module	Reference	Presence of Module
Patient	Patient	Table 8-6	ALWAYS
Study	General Study	Table 8-7	ALWAYS
	Patient Study	Table 8-8	ALWAYS
Series	General Series	Table 8-9	ALWAYS
	Spatial Registration Series	Table 8-25	ALWAYS
Frame of Reference	Frame of Reference	Table 8-10	ALWAYS
Equipment	General Equipment	Table 8-11	ALWAYS
Spatial Registration	Spatial registration	Table 8-26	ALWAYS
	Common Instance Reference	Table 8-27	ALWAYS
	SOP Common	Table 8-16	ALWAYS

Table 8-5: Spatial Registration Storage IOD

8.1.1.2 Created Modules

The following tables use a number of abbreviations. The abbreviations used in the “Presence” column are:

VNAP	Value not always present (attribute set to zero length if no value is present)
ANAP	Attribute not always present
ALWAYS	Attribute is always present
EMPTY	Attribute is set to zero length

The abbreviations used in the “Source” column:

USER	The attribute value source is from user input
AUTO	The attribute value is generated automatically
CONFIG	The attribute value source is a configurable parameter

8.1.1.2.1 Patient

Attribute Name	Tag	VR	Value	Presence	Source
Patient's Name	(0010,0010)	PN	From xBrain or user input	VNAP	AUTO/ USER
Patient ID	(0010,0020)	LO	From xBrain or user input	VNAP	AUTO/ USER
Patient's Birth Date	(0010,0030)	DA	From xBrain	VNAP	AUTO
Patient's Sex	(0010,0040)	CS	From xBrain	VNAP	AUTO

Table 8-6: Patient Module

8.1.1.2.2 General Study

Attribute Name	Tag	VR	Value	Presence	Source
Study Instance UID	(0020,000D)	UI	Generated	ALWAYS	AUTO
Study Date	(0008,0020)	DA	From xBrain	ANAP	AUTO
Study Time	(0008,0020)	TM	From xBrain	ANAP	AUTO
Referring Physician's Name	(0008,0090)	PN		ANAP	AUTO
Study ID	(0020,0010)	SH	From xBrain	VNAP	AUTO
Accession Number	(0008,0050)	SH		ANAP	AUTO
Study Description	(0008,1030)	LO	From xBrain	ANAP	AUTO

Table 8-7: General Study Module

8.1.1.2.3 Patient Study

Attribute Name	Tag	VR	Value	Presence	Source
Patient's Height	(0010,1020)	DS	From xBrain	ANAP	AUTO
Patient's Weight	(0010,1030)	DS	From xBrain	ANAP	AUTO

Table 8-8: Patient Study Module

8.1.1.2.4 General Series

Attribute Name	Tag	VR	Value	Presence	Source
Modality	(0008,0060)	CS	From xBrain	ALWAYS	AUTO
Series Instance UID	(0020,000E)	UI	Generated	ALWAYS	AUTO
Series Number	(0020,0011)	IS	From xBrain	ALWAYS	AUTO
Series Date	(0008,0021)	DA	From xBrain	ANAP	AUTO
Series Time	(0008,0031)	TM	From xBrain	ANAP	AUTO
Series Description	(0008,103E)	LO	From xBrain	ANAP	AUTO
Patient Position	(0018,5100)	DA	If applicable: from xBrain or user	EMPTY/ ALWAYS ²	AUTO/ USER

Table 8-9: General Series Module

8.1.1.2.5 Frame of Reference

Attribute Name	Tag	VR	Value	Presence	Source
Frame of Reference UID	(0020,0052)	UI	Generated	ALWAYS	AUTO
Position Reference Indicator	(0020,1040)	LO		ANAP	AUTO

Table 8-10: Frame of Reference Module

8.1.1.2.6 General Equipment

Attribute Name	Tag	VR	Value	Presence	Source
Manufacturer	(0008,0070)	LO	"BrainLAB"	ALWAYS	AUTO
Station Name	(0008,1010)	SH	<Host Name>	ALWAYS	AUTO
Manufacturer's Model Name	(0008,1090)	LO	"PatXferRT"	ALWAYS	AUTO
Software Version(s)	(0018,1020)	LO	"1.5.0 Build 118064"	ALWAYS	AUTO
Private Creator Code	(0009,00xx)	LO	"BrainLAB_Conversion"	ALWAYS	AUTO
Export Platform Name	(0009,xx01)	LO	Configured Platform Name	ALWAYS	CONFIG

Table 8-11: General Equipment Module

8.1.1.2.7 General Image

Attribute Name	Tag	VR	Value	Presence	Source
Instance Number	(0020,0013)	IS	From xBrain	ALWAYS	AUTO
Content Date	(0008,0023)	DA	<Current Date>	ALWAYS	AUTO
Content Time	(0008,0033)	TM	<Current Time>	ALWAYS	AUTO

Table 8-12: General Image Module

8.1.1.2.8 Image Plane

Attribute Name	Tag	VR	Value	Presence	Source
Pixel Spacing	(0028,0030)	DS	From xBrain	ALWAYS	AUTO
Image Orientation (Patient)	(0020,0037)	DS	From xBrain	ALWAYS	AUTO
Image Position (Patient)	(0020,0032)	DS	From xBrain	ALWAYS	AUTO
Slice Thickness	(0018,0050)	DS	From xBrain	ALWAYS	AUTO

Table 8-13: Image Plane Module

² For CT and MR Image Storage this attribute exists always, else it's not present.

8.1.1.2.9 Image Pixel

Attribute Name	Tag	VR	Value	Presence	Source
Pixel Data	(7FE0,0010)	OB OW	From xBrain	ALWAYS	AUTO

Table 8-14: Image Pixel Module

8.1.1.2.10 VOI LUT

Attribute Name	Tag	VR	Value	Presence	Source
Window Center	(0028,1050)	DS	From xBrain	ANAP	AUTO
Window Width	(0028,1051)	DS	From xBrain	ANAP	AUTO

Table 8-15: VOI LUT Module

8.1.1.2.11 SOP Common

Attribute Name	Tag	VR	Value	Presence	Source
SOP Class UID	(0008,0016)	DS	IOD specific	ALWAYS	AUTO
SOP Instance UID	(0008,0018)	DS	Generated	ALWAYS	AUTO
Specific Character Set	(0008,0005)	CS	"ISO_IR 100"	ALWAYS	AUTO
Instance Creation Date	(0008,0012)	DA	<Current Date>	ALWAYS	AUTO
Instance Creation Time	(0008,0013)	TM	<Current Time>	ALWAYS	AUTO

Table 8-16: SOP Common Module

8.1.1.2.12 CT Image

Attribute Name	Tag	VR	Value	Presence	Source
Image Type	(0008,0008)	CS	"DERIVED/SECONDARY/AXIAL"	ALWAYS	AUTO
Samples per Pixel	(0028,0002)	US	1	ALWAYS	AUTO
Photometric Interpretation	(0028,0004)	CS	"MONOCHROME2"	ALWAYS	AUTO
Rows	(0028,0010)	IS	From xBrain	ALWAYS	AUTO
Columns	(0028,0011)	DA	From xBrain	ALWAYS	AUTO
Bits Allocated	(0028,0100)	US	16	ALWAYS	AUTO
Bits Stored	(0028,0101)	US	16	ALWAYS	AUTO
High Bit	(0028,0102)	US	15	ALWAYS	AUTO
Pixel Representation	(0028,0103)	US	0000H (<i>unsigned integer</i>)	ALWAYS	AUTO
Rescale Intercept	(0028,1052)	DS	-1024	ALWAYS	AUTO
Rescale Slope	(0028,1053)	DS	1	ALWAYS	AUTO
KVP	(0018,0060)	DS		EMPTY	AUTO
Acquisition Number	(0020,0012)	IS		EMPTY	AUTO

Table 8-17: CT Image Module

8.1.1.2.13 MR Image

Attribute Name	Tag	VR	Value	Presence	Source
Image Type	(0008,0008)	CS	"DERIVED/SECONDARY/OTHER"	ALWAYS	AUTO
Samples per Pixel	(0028,0002)	US	1	ALWAYS	AUTO
Photometric Interpretation	(0028,0004)	CS	"MONOCHROME2"	ALWAYS	AUTO
Rows	(0028,0010)	IS	From xBrain	ALWAYS	AUTO
Columns	(0028,0011)	DA	From xBrain	ALWAYS	AUTO
Bits Allocated	(0028,0100)	US	16	ALWAYS	AUTO
Bits Stored	(0028,0101)	US	16	ALWAYS	AUTO
High Bit	(0028,0102)	US	15	ALWAYS	AUTO
Pixel Representation	(0028,0103)	US	0000H (<i>unsigned integer</i>)	ALWAYS	AUTO

Table 8-18: MR Image Module

8.1.1.2.14 RT Series

Attribute Name	Tag	VR	Value	Presence	Source
Modality	(0008,0060)	CS	"RTPLAN" or "RTSTRUCT"	ALWAYS	AUTO
Series Instance UID	(0020,000E)	UI	Generated	ALWAYS	AUTO
Series Number	(0020,0011)	IS	1	ALWAYS	AUTO
Series Description	(0008,103E)	LO	From xBrain	ANAP	AUTO

Table 8-19: RT Series Module

8.1.1.2.15 RT General Plan

Attribute Name	Tag	VR	Value	Presence	Source
RT Plan Label	(300A,0002)	LO	From xBrain	ALWAYS	AUTO
RT Plan Name	(300A,0003)	SH	From xBrain	ANAP	AUTO
RT Plan Description	(300A,0004)	ST	From xBrain	ANAP	AUTO
Operators' Name	(0008,1070)	PN		EMPTY	AUTO
RT Plan Date	(300A,0006)	DA	From xBrain	ALWAYS	AUTO
RT Plan Time	(300A,0007)	TM	From xBrain	ALWAYS	AUTO
RT Plan Geometry	(300A,000C)	CS	"PATIENT"	ALWAYS	AUTO
Referenced Structure Set Sequence	(300C,0060)	SQ		ALWAYS	AUTO
>Referenced SOP Class UID	(0008,1150)	UI	"1.2.840.10008.5.1.4.1.1.481.3"	ALWAYS	AUTO
>Referenced SOP Instance UID	(0008,1155)	UI	Generated	ALWAYS	AUTO

Table 8-20: RT General Plan Module

8.1.1.2.16 RT Beams

Attribute Name	Tag	VR	Value	Presence	Source
Beam Sequence	(300A,00B0)	SQ		ALWAYS	AUTO
>Manufacturer	(0008,0070)	LO		ALWAYS	CONFIG
>Primary Dosimeter Unit	(300a,00b3)	CS	"MU"	ALWAYS	AUTO
>Source Axis Distance	(300a,00b4)	DS		ALWAYS	CONFIG
>Beam Number	(300A,00C0)	IS	From xBrain	ALWAYS	AUTO
>Beam Name	(300A,00C2)	LO	From xBrain	ALWAYS	AUTO
>Beam Description	(300A,00C3)	ST	From xBrain	ALWAYS	AUTO
>Beam Type	(300A,00C4)	CS	"STATIC"	ALWAYS	AUTO

Attribute Name	Tag	VR	Value	Presence	Source
>Radiation Type	(300A,00C6)	CS		EMPTY	AUTO
>Treatment Machine Name	(300A,00B2)	SH		ALWAYS	CONFIG
>Beam Limiting Device Sequence	(300A,00B6)	SQ	Two items	ALWAYS	AUTO
>>RT Beam Limiting Device Type	(300A,00B8)	CS	Dummy value: "X" and "Y"	ALWAYS	AUTO
>>Number of Leaf/Jaw Pairs	(300A,00BC)	IS	Dummy value: 1	ALWAYS	AUTO
>Number of Wedges	(300A,00D0)	IS	Dummy value: 0	ALWAYS	AUTO
>Number of Compensators	(300A,00E0)	IS	Dummy value: 0	ALWAYS	AUTO
>Number of Boli	(300A,00ED)	IS	Dummy value: 0	ALWAYS	AUTO
>Number of Blocks	(300A,00F0)	IS	Dummy value: 0	ALWAYS	AUTO
>Final Cumulative Meterset Weight	(300A,010E)	DS	Dummy value: 1	ALWAYS	AUTO
>Number of Control Points	(300A,0110)	IS	Dummy value: 2	ALWAYS	AUTO
>Control Point Sequence	(300A,0111)	SQ		ALWAYS	AUTO
>>Control Point Index	(300A,0112)	IS	Dummy value: 0 ... 1	ALWAYS	AUTO
>>Cumulative Meterset Weight	(300A,0134)	DS	Dummy value: 0 ... 1	ALWAYS	AUTO
>>Nominal Beam Energy	(300A,0114)	DS		ALWAYS	CONFIG
>>Dose Rate Set	(300A,0115)	DS		ALWAYS	CONFIG
>>Beam Limiting Device Position Sequence	(300A,011A)	SQ		ALWAYS	AUTO
>>>RT Beam Limiting Device Type	(300A,00B8)	CS	Dummy value: "X" or "Y"	ALWAYS	AUTO
>>>Leaf/Jaw Positions	(300A,011C)	DS	Dummy values for jaws	ALWAYS	CONFIG
>>Gantry Angle	(300A,011E)	DS	Dummy value: 0	ALWAYS	AUTO
>>Gantry Rotation Direction	(300A,011F)	CS	Dummy value: "NONE"	ALWAYS	AUTO
>>Beam Limiting Device Angle	(300A,0120)	DS	Dummy value: 0	ALWAYS	AUTO
>>Beam Limiting Device Rotation Direction	(300A,0121)	CS	Dummy value: "NONE"	ALWAYS	AUTO
>>Patient Support Angle	(300A,0122)	DS	Dummy value: 0	ALWAYS	AUTO
>>Patient Support Rotation Direction	(300A,0123)	CS	Dummy value: "NONE"	ALWAYS	AUTO
>>Table Top Eccentric Angle	(300A,0125)	DS	Dummy value: 0	ALWAYS	AUTO
>>Table Top Eccentric Rotation Direction	(300A,0126)	CS	Dummy value: "NONE"	ALWAYS	AUTO
>>Table Top Vertical Position	(300A,0128)	DS		EMPTY	AUTO
>>Table Top Longitudinal Position	(300A,0129)	DS		EMPTY	AUTO
>>Table Top Lateral Position	(300A,012A)	DS		EMPTY	AUTO
>>Isocenter Position	(300A,012C)	DS	From xBrain	ALWAYS	AUTO

Table 8-21: RT Beams Module

8.1.1.2.17 RT Structure Set

Attribute Name	Tag	VR	Value	Presence	Source
Structure Set Label	(3006,0002)	SH		ALWAYS	AUTO
Structure Set Name	(3006,0004)	LO		ALWAYS	AUTO
Structure Set Description	(3006,0006)	ST		VNAP	AUTO
Structure Set Date	(3006,0008)	DA		ALWAYS	AUTO
Structure Set Time	(3006,0009)	TM		ALWAYS	AUTO
Referenced Frame of Reference Sequence	(3006,0010)	SQ	From xBrain: 1 ... N frames	ALWAYS	AUTO
>Frame of Reference UID	(0020,0052)	UI		ALWAYS	AUTO
>Frame of Reference Relationship Sequence	(3006,00C0)	SQ	From xBrain: 1 ... N related frames (rigid image fusion)	ALWAYS	AUTO
>>Related Frame of Reference UID	(3006,00C2)	UI		ALWAYS	AUTO
>>Frame of Reference Transformation Type	(3006,00C4)	CS	"HOMOGENEOUS"	ALWAYS	AUTO
>>Frame of Reference Transformation Matrix	(3006,00C6)	DS	From xBrain	ALWAYS	AUTO
>>Frame of Reference Transformation Comment	(3006,00C8)	LO		ALWAYS	AUTO
>RT Referenced Study Sequence	(3006,0012)	SQ	Contains 1 study reference	ALWAYS	AUTO
>>Referenced SOP Instance UID	(0008,1155)	UI		ALWAYS	AUTO
>>RT Referenced Series Sequence	(3006,0014)	SQ	1 ... N series references (with same frame of reference)	ALWAYS	AUTO
>>>Series Instance UID	(0020,000E)	UI		ALWAYS	AUTO
>>>Contour Image Sequence	(3006,0016)	SQ	1 ... N image references	ALWAYS	AUTO
>>>>Referenced SOP Instance UID	(0008,1155)	UI		ALWAYS	AUTO
>>>>Referenced SOP Class UID	(0008,1150)	UI		ALWAYS	AUTO
Structure Set ROI Sequence	(3006,0020)	SQ	From xBrain:1 ... N ROIs	ALWAYS	AUTO
>ROI Number	(3006,0022)	IS	0 ...N-1	ALWAYS	AUTO
>Referenced Frame of Reference UID	(3006,0024)	UI	From xBrain: 1 ... N	ALWAYS	AUTO
>ROI Name	(3006,0026)	LO	From xBrain	ALWAYS	AUTO
>ROI Description	(3006,0028)	ST	From xBrain	VNAP	AUTO
>ROI Generation Algorithm	(3006,0036)	CS	From xBrain	VNAP	AUTO

Table 8-22: Structure Set Module

8.1.1.2.18 ROI Contour

Attribute Name	Tag	VR	Value	Presence	Source
ROI Contour Sequence	(3006,0039)	SQ	From xBrain: 1 ... N ROIs	ALWAYS	AUTO
>Referenced ROI Number	(3006,0084)	IS	0 ... N-1	ALWAYS	AUTO
>ROI Display Color	(3006,002A)	IS	From xBrain	ALWAYS	AUTO
>Contour Sequence	(3006,0040)	SQ		ALWAYS	AUTO
>>Contour Image Sequence	(3006,0016)	SQ	Contains a single item if Contour Geometric Type is CLOSED_PLANAR	ANAP	AUTO
>>>Referenced SOP Class UID	(0008,1150)	UI		ALWAYS	AUTO
>>>Referenced SOP Instance UID	(0008,1155)	UI		ALWAYS	AUTO
>>Contour Geometric Type	(3006,0042)	CS	"CLOSED_PLANAR" for Voxel Objects; "POINT" for Isocenters (see ROI Interpreted Type)	ALWAYS	AUTO
>>Number of Contour Points	(3006,0046)	IS	From xBrain	ALWAYS	AUTO
>>Contour Data	(3006,0050)	DS	From xBrain	ALWAYS	AUTO

Table 8-23: ROI Contour Module
8.1.1.2.19 RT ROI Observation

Attribute Name	Tag	VR	Value	Presence	Source
RT ROI Observations Sequence	(3006,0080)	SQ	Number of Isocenters plus number of ROI items	ALWAYS	AUTO
>Observation Number	(3006,0082)	IS	0 ... N-1	ALWAYS	AUTO
>Referenced ROI Number	(3006,0084)	IS	0 ... N-1	ALWAYS	AUTO
>RT ROI Interpreted Type	(3006,00A4)	CS	"ISOCENTER" if Contour Geometric Type contains POINT	ANAP	AUTO
>ROI Interpreter	(3006,00A6)	PN		ANAP	AUTO
>ROI Physical Property Sequence	(3006,00B0)	SQ		ANAP	AUTO
>>ROI Physical Property	(3006,00B2)	CS	"REL_ELEC_DENSITY", if present	ANAP	AUTO
>>ROI Physical Property Value	(3006,00B4)	DS		ANAP	AUTO

Table 8-24: RT ROI Observations Module

8.1.1.2.20 Spatial Registration Series

Attribute Name	Tag	VR	Value	Presence	Source
Modality	(0008,0060)	CS	"REG"	ALWAYS	AUTO

Table 8-25: Spatial Registration Series Module

8.1.1.2.21 Spatial Registration

Attribute Name	Tag	VR	Value	Presence	Source
Content Date	(0008,0023)	DA		ALWAYS	AUTO
Content Time	(0008,0033)	TM		ALWAYS	AUTO
Instance Number	(0020,0013)	IS	The same as the series number	ALWAYS	AUTO
Content Label	(0070,0080)	CS		ALWAYS	AUTO
Content Description	(0070,0080)	LO		ALWAYS	AUTO
Content Creator's Name	(0070,0084)	PN		EMPTY	AUTO
Registration Sequence	(0070, 0308)	SQ		ALWAYS	AUTO
>Frame of Reference UID	(0020,0052)	UI		ALWAYS	AUTO
>Referenced Image Sequence	(0008,1140)	SQ		ALWAYS	AUTO
>>Referenced SOP Class UID	(0008,1150)	UI		ALWAYS	AUTO
>>Referenced SOP Instance UID	(0008,1155)	UI		ALWAYS	AUTO
>Matrix Registration Sequence	(0070,0309)	SQ		ALWAYS	AUTO
>>Frame of Reference Transformation Comment	(3006,00C8)	LO	Indication of transformation direction	ALWAYS	AUTO
>>Registration Type Code Sequence	(0070,030D)	SQ		EMPTY	AUTO
>>Matrix Sequence	(0070,030A)	SQ	Consists of only one item	ALWAYS	AUTO
>>>Frame of Reference Transformation Matrix	(3006,00C6)	DS		ALWAYS	AUTO
>>>Frame Of Reference Transformation Matrix Type	(0070,030C)	CS		ALWAYS	AUTO

Table 8-26: Spatial Registration Module

8.1.1.2.22 Common Instance Reference

Attribute Name	Tag	VR	Value	Presence	Source
Referenced Series Sequence	(0008,1115)	SQ		ALWAYS	AUTO
>Series Instance UID	(0020,000E)	UID		ALWAYS	AUTO
>Referenced Instance Sequence	(000A,114A)	SQ		ALWAYS	AUTO
>>Referenced SOP Class UID	(0008,1150)	UID		ALWAYS	AUTO
>>Referenced SOP Instance UID	(0008,1155)	UID		ALWAYS	AUTO
Study Containing Other Referenced Instances Sequence	(0008,1200)	SQ		ANAP	AUTO
>Study Instance UID	(0020,000D)	UI		ANAP	AUTO

>Referenced Series Sequence	(0008,1115)	SQ		ANAP	AUTO
>>Series Instance UID	(0020,000E)	UID		ANAP	AUTO
>>Referenced Instance Sequence	(000A,114A)	SQ		ANAP	AUTO
>>> Referenced SOP Class UID	(0008,1150)	UID		ANAP	AUTO
>>> Referenced SOP Instance UID	(0008,1155)	UID		ANAP	AUTO

Table 8-27: Common Instance Reference Module

8.1.2 Usage Of Attributes From Received IOD's

This section describes the requirements on the DICOM data, which shall be converted into the BrainLAB advanced file format. Conversion can be performed on the DICOM RT Plan and RT Structure Set and DICOM Images of type CT, MR, PET, CR, XA, RF, and secondary captures.

8.1.2.1 Images

PatXfer RT accepts all images of the SOP Classes in Table 4-3, which meet the following requirements:

- Images with an attribute (0028,0030) Pixel Spacing containing different values for x and y distance³ will be displayed but not exported.
- Only single frame images are supported

8.1.2.2 RT Plan

The RT Plan is used for receiving the isocenter coordinates and for referencing the RT Structure Set.

- An RT Plan without a reference to the RT Structure Set is not supported.
- The attribute (300A,000C) RT Plan Geometry must be "PATIENT".
- The attributes (300A,00C2) Beam Name and (300A,00C3) Beam Description in the Beam Sequence are used to uniquely identify the isocenter.

8.1.2.3 RT Structure Set

The RT Structure Set is used to import the data of contour objects, for referencing images and to import RT Structure Set isocenters.

- A contour object is accepted if the attribute (3006,0042) Contour Geometric Type in the Contour Sequence contains "CLOSED_PLANAR".
- An isocenter is accepted if the attribute (3006,0042) Contour Geometric Type in the Contour Sequence contains "POINT" and attribute (3006,00A4) ROI Interpreted Type in the RT ROI Observations Sequence contains "ISOCENTER".
- Rigid image fusions will be evaluated.

³ To be more precise: If the difference between both values is greater than 0.001 mm!

8.2 Data Dictionary Of Private Attributes

The Private Attributes added to created SOP Instances are listed in the Table below. BrainLAB reserves blocks of private attributes in group 0009 and 0099. Further details on usage of these private attributes are contained in Section 8.1.

8.2.1 Group 0009

Tag	Attribute Name	VR	VM
(0009,00xx)	Private Creator Code "BrainLAB_Conversion"	LO	1
(0009,xx01)	Export Platform Name	LO	1

Table 8-28: Data Dictionary Of Private Attributes For Group 0009

8.3 Coded Terminology And Templates

None supported.

8.4 Grayscale Image Consistency

Not supported.

8.5 Standard Extended/Specialized/Private Sop Classes

None supported.

8.6 Private Transfer Syntaxes

None supported.

9 Indexes

9.1 Index Of Tables

Table 1-1: Network services supported by PatXfer.....	4
Table 1-2: Media Services supported by PatXfer	4
Table 4-1: Supported Verification SOP Classes	13
Table 4-2: Supported Query/Retrieve SOP Classes.....	13
Table 4-3: Supported Storage SOP Classes	13
Table 4-4: Supported Transfer Syntaxes.....	14
Table 4-5: Proposed Presentation Contexts for Activity Find.....	15
Table 4-6: Proposed Presentation Contexts for Activity Move.....	16
Table 4-7: Proposed Presentation Contexts for Activity Store.....	16
Table 4-8: Storage SCP Presentation Contexts.....	17
Table 5-1: Supported Media Interchange Profiles.....	20
Table 8-1: CT Image Storage IOD.....	24
Table 8-2: MR Image Storage IOD.....	24
Table 8-3: RT Plan Storage IOD	25
Table 8-4: RT Structure Set Storage IOD.....	25
Table 8-5: Spatial Registration Storage IOD.....	25
Table 8-6: Patient Module	26
Table 8-7: General Study Module.....	26
Table 8-8: Patient Study Module	26
Table 8-9: General Series Module.....	27
Table 8-10: Frame of Reference Module.....	27
Table 8-11: General Equipment Module.....	27
Table 8-12: General Image Module.....	27
Table 8-13: Image Plane Module	27
Table 8-14: Image Pixel Module.....	28
Table 8-15: VOI LUT Module	28
Table 8-16: SOP Common Module	28
Table 8-17: CT Image Module.....	28
Table 8-18: MR Image Module.....	29
Table 8-19: RT Series Module	29
Table 8-20: RT General Plan Module.....	29
Table 8-21: RT Beams Module	30
Table 8-22: Structure Set Module.....	31
Table 8-23: ROI Contour Module	32
Table 8-24: RT ROI Observations Module	32
Table 8-25: Spatial Registration Series Module.....	33
Table 8-26: Spatial Registration Module.....	33
Table 8-27: Common Instance Reference Module	34
Table 8-28: Data Dictionary Of Private Attributes For Group 0009	35

9.2 Index Of Figures

Figure 4-1: The Query/Retrieve SCU and Storage SCP application flow diagram.....	10
Figure 4-2: The Storage SCU application flow diagram.....	11
Figure 4-3: Sequencing of Query/Retrieve SCU and Storage SCP	12
Figure 5-1: The File System Reader application flow diagram.....	19